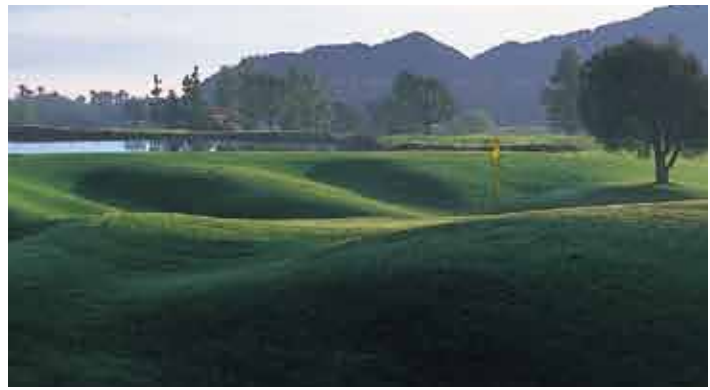


CENTRAL CONTROL

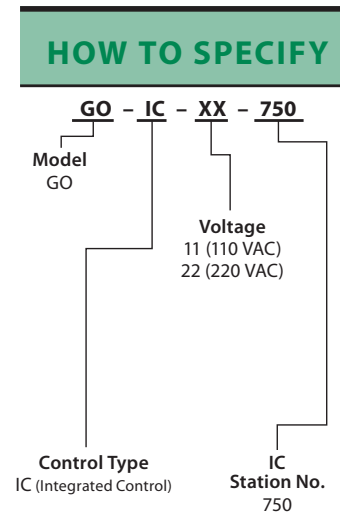


Rain Bird® Central Control Systems are designed with ease of use in mind. These systems effectively integrate advanced technologies and optional software to arrive at solutions that manage water use responsibly to save money and reduce utility costs, while continually enhancing course appearance and improving playability.





● GO

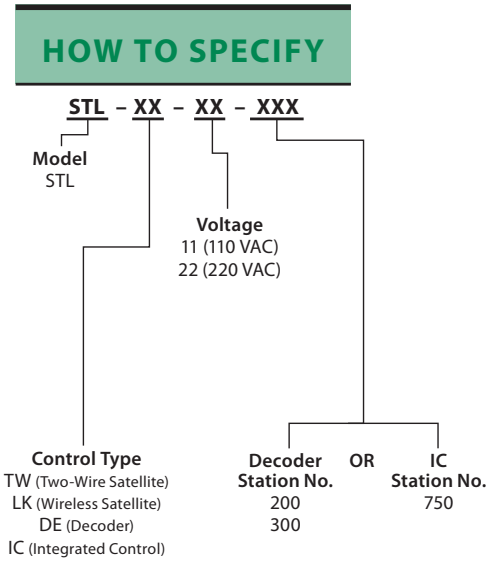


UNIQUE FEATURES

- GO™ was designed specifically for the IC field control system.
- Exclusive CYCLE+SOAK™ reduces or eliminates wasteful runoff by matching each sprinkler's application rate to the localized soil infiltration rate. Total application of water is precisely controlled regardless of number of cycles.
- Course monitor screens are intuitively designed to instantly show you exactly what is going on with your course.
- Pump Profiling™ automatically manages pump station power consumption during peak electrical rate periods.
- Pre-built Flo-Manager® tables get you up and running in minutes.
- Dryrun™ helps you fine tune your irrigation programs for peak performance.
- GO benefits from exactly the same high-performance irrigation engine used by Cirrus™, Nimbus™ II, Stratus™ II and StratusLT™, which means GO systems have the highest Water Window Efficiency available.



● STRATUSLT



UNIQUE FEATURES

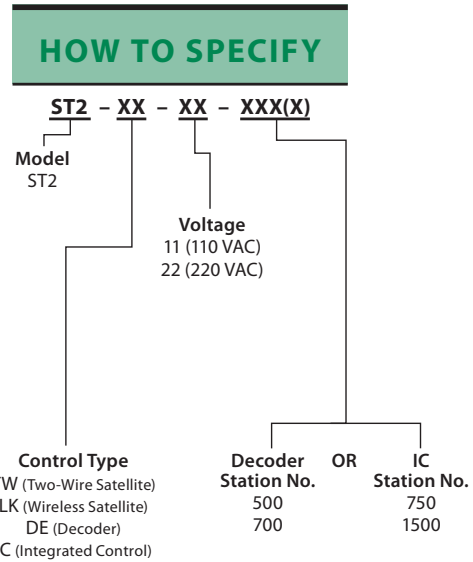
- QuickIRR™ programming is a quick and easy method for automatically building programs to meet your irrigation challenges.
- Exclusive CYCLE+SOAK™ reduces or eliminates wasteful runoff by matching each sprinkler's application rate to the localized soil infiltration rate. Total application of water is precisely controlled regardless of number of cycles.
- Course monitor screens are intuitively designed to instantly show you exactly what is going on with your course.
- Pump Profiling™ automatically manages pump station power consumption during peak electrical rate periods.
- Industry's only innovative, guided initialization and start-up programming results in a customized QuickStart™ program.
- Dryrun™ helps you fine tune your irrigation programs for peak performance.
- The highest performance irrigation engine in the industry means you can expect some of the highest Water Window Efficiencies available.

SOFTWARE OPTIONS

- Add a WS-PRO LT weather station and a weather software module to monitor evapotranspiration (ET) rates and modify schedules based on actual turf requirements.
- Smart Sensors™ monitor standard in-field sensors to activate alarms, turn off or pause individual programs, schedules or the entire system then turn on or resume the same.
- Smart Pump™ links your pump station to your central control system; optimizing each and every irrigation cycle. Smart Pump can also monitor and instantly react to changes in pump station capacity so an overheated motor won't take down your entire irrigation system.



● STRATUS II



UNIQUE FEATURES

- QuickIRR™ programming is a quick and easy method for automatically building programs to meet your irrigation challenges.
- Exclusive CYCLE+SOAK™ reduces or eliminates wasteful runoff by matching each sprinkler's application rate to the localized soil infiltration rate. Total application of water is precisely controlled regardless of number of cycles.
- Course monitor screens are intuitively designed to instantly show you exactly what is going on with your course.
- Pump Profiling™ automatically manages pump station power consumption during peak electrical rate periods.
 - Industry's only innovative, guided initialization and start-up programming results in a customized QuickStart™ program.
- Dryrun™ helps you fine tune your irrigation programs for peak performance.
- The highest performance irrigation engine in the industry means you can expect some of the highest Water Window Efficiencies available.

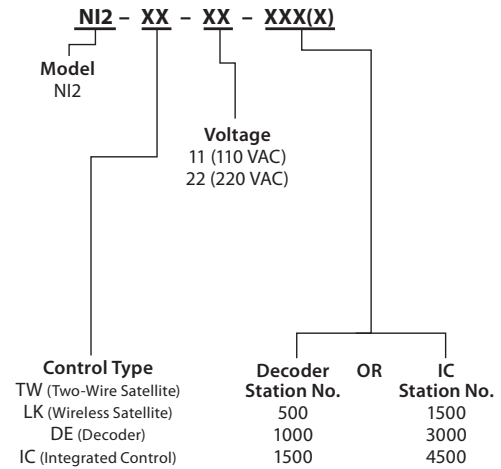
SOFTWARE OPTIONS

- Smart Weather™ Software enhances regular weather software to include weather station call-back based on user-defined conditions for any of the instruments, i.e., rainfall, windspeed, temperature, humidity, etc.
- Smart Sensors™ monitor standard in-field sensors to activate alarms, turn off or pause individual programs, schedules or the entire system then turn on or resume the same.
- Station Layers-Map/Operation lets you individually control, manage and program sprinklers directly from the map.
- Hybrid allows multiple field interface devices on a central. These are a combination of two of these devices, therefore allowing the possibility of having a decoder system in addition to a satellite system operate from the same central.
- Weather Software allows central to communicate with Rain Bird weather station, being able to monitor, receive, update and calculate ET value for establishing run times.
- Smart Pump™ links your pump station to your central control system; optimizing each and every irrigation cycle. Smart Pump can also monitor and instantly react to changes in pump station capacity so an overheated motor won't take down your entire irrigation system.



● NIMBUS II

HOW TO SPECIFY



UNIQUE FEATURES

- ✔ QuickIRR™ programming is a quick and easy method for automatically building programs to meet your irrigation challenges.
- Exclusive CYCLE+SOAK™ reduces or eliminates wasteful runoff by matching each sprinkler's application rate to the localized soil infiltration rate. Total application of water is precisely controlled regardless of number of cycles.
- Course monitor screens are intuitively designed to instantly show you exactly what is going on with your course.
- Pump Profiling™ automatically manages pump station power consumption during peak electrical rate periods.
- ✔ Industry's only innovative, guided initialization and start-up programming results in a customized QuickStart™ program.
- Dryrun™ helps you fine tune your irrigation programs for peak performance.
- The highest performance irrigation engine in the industry means you can expect some of the highest Water Window Efficiencies available.

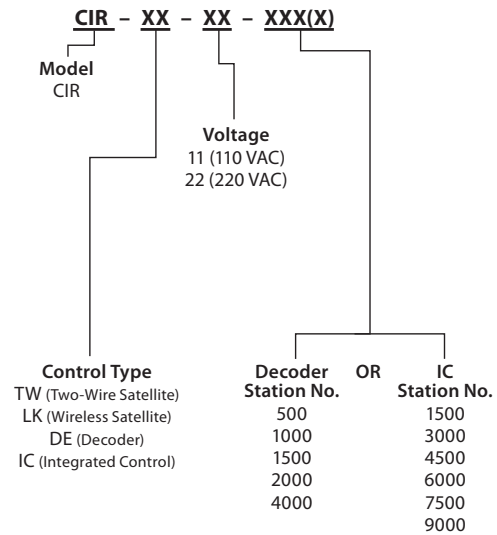
SOFTWARE OPTIONS

- ✔ Smart Weather™ Software enhances regular weather software to include weather station call-back based on user-defined conditions for any of the instruments, i.e., rainfall, windspeed, temperature, humidity, etc.
- ✔ Smart Sensors™ monitor standard in-field sensors to activate alarms, turn off or pause individual programs, schedules or the entire system then turn on or resume the same.
- Station Layers-Map/Operation lets you individually control, manage and program sprinklers directly from the map.
- ✔ Hybrid allows multiple field interface devices on a central. These could be multiple MIMs or LDIs, or a combination of these devices, therefore allowing the possibility of having a decoder system in addition to a satellite system operate from the same central. Nimbus can have up to 3 interfaces (mix and match).
- Manage up to five (5) different weather stations throughout the golf course and target them to sprinklers in any microclimate on your course.
- ✔ Smart Pump™ links your pump station to your central control system; optimizing each and every irrigation cycle. Smart Pump can also monitor and instantly react to changes in pump station capacity so an overheated motor won't take down your entire irrigation system.



● CIRRUS

HOW TO SPECIFY



UNIQUE FEATURES

- ✔ QuickIRR™ programming is a quick and easy method for automatically building programs to meet your irrigation challenges.
- ✔ Smart Sensors™ monitor standard in-field sensors to activate alarms, turn off or pause individual programs, schedules or the entire system then turn on or resume the same.
- Exclusive CYCLE+SOAK™ reduces or eliminates wasteful runoff by matching each sprinkler's application rate to the localized soil infiltration rate. Total application of water is precisely controlled regardless of number of cycles.
- Course monitor screens are intuitively designed to instantly show you exactly what is going on with your course.
- Pump Profiling™ automatically manages pump station power consumption during peak electrical rate periods.
- ✔ Industry's only innovative, guided initialization and start-up programming results in a customized QuickStart™ program.
- Dryrun™ helps you fine tune your irrigation programs for peak performance.
- ✔ Smart Weather™ monitors evapotranspiration (ET) rates and modifies schedules based on actual turf requirements.
- The highest performance irrigation engine in the industry means you can expect some of the highest Water Window Efficiencies available.
- ✔ Smart Pump™ links your pump station to your central control system; optimizing each and every irrigation cycle. Smart Pump can also monitor and instantly react to changes in pump station capacity so an overheated motor won't take down your entire irrigation system.
- Manage up to five (5) different weather stations throughout the golf course and target them to sprinklers in any microclimate on your course.
- ✔ Hybrid technology means your system can adapt to use any combination of field hardware necessary to precisely meet your needs. Cirrus can have up to 12 field interfaces (mix and match).

CENTRAL CONTROL COMPARISON CHART					
FEATURES	CIRRUS™	NIMBUS™ II	STRATUS™ II	STRATUSLT™	GO™
Real-time decision making	✓	✓	✓	✓	✓
Radio communication option	✓	✓	✓	✓	—*
Works with all Rain Bird satellites	✓	✓	✓	✓	—*
Works with decoders	✓	✓	✓	✓	—*
Works with Rain Bird Integrated Control™ System (ICS)	✓	✓	✓	✓	✓
Works with FREEDOM™ System	✓	✓	✓	✓	✓
Works with Rain Bird® MI Series Mobile Controller	✓	✓	✓	✓	✓
Number of 2-wire satellite wire groups standard	4	4	2	1	—*
Number of IC™ wire groups standard	4	4	1	1	1
Maximum number of interfaces – Hybrid (same or mix)	12	3	2	—	—
Maximum number of 2-wire satellite wire groups – Hybrid	48**	12**	4**	—	—*
Maximum number of 2-wire satellite stations	32,256**	8,064**	2,688†	672	—
Maximum number of wireless satellite stations	32,256**	8,064**	2,688†	672	—
Maximum number of IC™ stations	36,000‡	9,000‡	3,000‡	750	750
Number of decoders/solenoids standard	500/1,000	500/1,000	500/1,000	200/400	—
Maximum number of decoder/solenoids – Hybrid	6,000/12,000Δ	1,500/3,000Δ	700/1,400Δ	300/600 with LDI○	—
Number of active decoder solenoids	40/LDI	40/LDI	40 with LDI	15 with SDI	—
Maximum number of weather stations	5	5	1	1 (WS-PRO LT only)	—
Maximum number of pump stations	6	6	6	2	2
PROGRAMMING					
Standard/QuickIRR™/SimpleIRR™	✓	✓	✓	✓	✓
Number of courses	3	3	2	1	1
Number of holes	54	54	27	18	18
Number of Flo-Zones™	500	500	500	50	50
Programs	Unlimited	Unlimited	500	250	250
Schedules	50 per program	50 per program	25 per program	25 per program	25 per program
Irrigation programs – active simultaneous	50	50	20	10	10
SOFTWARE FEATURES					
Flo-Manager® - Dynamic Power and Hydraulic Management	✓	✓	✓	✓	✓
Flo-Guard™	✓	✓	✓	✓	✓
ET Management (fully automatic)	✓	Optional	Optional	Optional	—
ET-Based scheduling	✓	✓	✓	✓	—
ET Spreadsheet™ Analysis	✓	✓	✓	✓	—
Rain Bird® MI Series Mobile Controller	✓	✓	✓	✓	✓
Wireless satellite radio diagnostics	✓	✓	✓	✓	—
Comprehensive decoder diagnostics	✓	✓	✓	✓	✓
Advanced IC™ diagnostics	✓	✓	✓	✓	✓
Real-Time Run Log	✓	✓	✓	✓	✓
Report Generation	✓	✓	✓	—	—
Water Budgeting 0 – 300%	✓	✓	✓	—	✓
Rain Bucket™ – accumulated rainfall	✓	Optional	Optional	Optional	—
Rain Sensor	✓	✓	✓	✓	—
Rain Watch™	✓	✓	✓	✓	—
QuickStart™	✓	✓	✓	✓	✓
Help Screens	✓	✓	✓	✓	✓
Course Monitor™	✓	✓	✓	✓	✓
Hole View	✓	✓	✓	✓	—
Projected flow (Dryrun™)	✓	✓	✓	✓	✓
Graphics – Course View™	✓	✓	✓	✓	—
Import GPS, CAD or Aerial photo	✓	✓	✓	✓	—
Visual Monitoring – Area	✓	✓	✓	✓	—
Visual Monitoring – Station level	✓	Optional	Optional	—	—
Smart Weather™ Alarms	✓	Optional	Optional	—	—
Precipitation Data	✓	✓	✓	✓	—
Rotor Data	✓	✓	✓	✓	✓
Cycle + Soak™	✓	✓	✓	✓	✓
SOFTWARE MODULES					
Automatic ET	✓	Optional	Optional	Optional	—
Smart Weather™	✓	Optional	Optional	—	—
Additional Weather Stations	✓	Optional	Optional	—	—
Smart Sensors™ with Flo-Watch™	✓	Optional	Optional	Optional	—
Rain Bird™ Messenger™	✓	Optional	Optional	Optional	—
Hybrid – Additional interfaces (same or mix)	✓	Optional	Optional	—	—
The FREEDOM System™	✓	Optional	Optional	Optional	Optional
Map Utilities™	✓	Optional	Optional	Optional	—
Station Layers – Map/Operations	✓	Optional	Optional	—	—
Smart Pump™	✓	Optional	Optional	Optional	—
Additional Wire Groups	✓	✓	Optional	—	—

*GO™ Centrals operate IC™ systems only ** Possible with Hybrid Module and additional MIM™(s) †Possible with Hybrid Module and additional Wire Groups Module(s) ‡ Possible with Hybrid Module and additional IC(s) Δ Possible with Hybrid Module and additional LDI(s)

○ Possible using a LDI instead of Standard SDI. Hybrid not required.

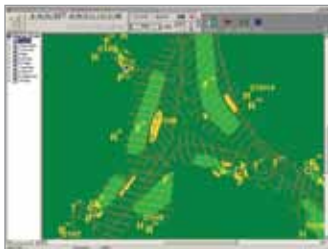
Rain Bird Offers These Central Control Systems:



Cirrus Flo-Manager®

Cirrus™

By combining Computer-Aided Design (CAD) with GPS technology, Cirrus™ shows you your course like no other central control system can. With state-of-the-art ET-based scheduling, customized course graphics and multiple mapping options, controlling your irrigation system is fast and easy.



Nimbus II Course Monitor

Nimbus™ II

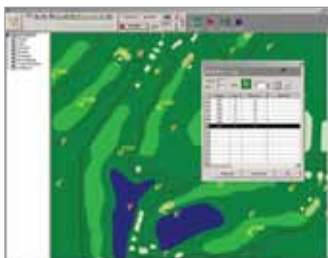
For a superior combination of ET-based scheduling, advanced flow management and Windows-based simplicity, Nimbus™ II is an excellent choice to efficiently control all irrigation applications on up to three individual courses with a maximum of 54 holes.



Stratus II Course Monitor

Stratus™ II

For easy-to-use, time- or ET-based scheduling, there's really only one choice — Stratus™ II — the one irrigation central control system that combines the point-and-click simplicity of Windows® with intuitive Rain Bird features to control as many as 27 holes.



Stratus LT Map

StratusLT™

The Rain Bird Start-up Wizard built right into StratusLT™ will have you watering your 18-hole golf course in no time — from the greens to the roughs, clubhouse to driving range — without having to become a computer expert or spend extensive time learning to operate the system. StratusLT now supports ET-based scheduling with WS-PRO LT and a weather software module.



GO System

GO™

GO™ is designed exclusively for the IC field control system. Because GO includes Flo-Manager® tables, your system will be up and running in minutes. GO uses the same high-performance irrigation engine used by all Rain Bird central controls, which means it offers the highest Water Window Efficiency available.

All too often, superintendents or greens committees purchase a central control system that exceeds the irrigation requirements for their golf course. Before deciding which central control system to purchase, think about the level of control you believe is necessary to maintain course appearance and playability, while reducing water, labor and energy costs. Keep in mind, all Rain Bird Central Controls are backward compatible so upgrading your system as the irrigation needs of your course change is easy and affordable.

Refer to the chart on the right to compare the features and irrigation management tools provided with each of these systems.